

IN-PHASE 8- AND 16-WAY

DIVIDERS/COMBINERS, POWER

With SMA or N Connectors 0.5-18 GHz

SERIES YE

GENERAL INFORMATION:

Eight- and 16-way Stripline in phase power dividers have excellent phase and amplitude balance. The internal resistive element is a ceramic pad and can, therefore, handle relatively high values of CW and peak power. Series YE is of Stripline construction, thereby ensuring excellent electrical and environmental performance.

GENERAL SPECIFICATIONS:

- Frequency Range:** 0.5-18.0 GHz
RF Impedance: 50 OHMS
RF Power: The power handling capability for load VSWR's less than 1.50 is 1 watt CW and 1 kW peak for frequencies up to 2.0 GHz, and 400 mW CW and 0.4 kW peak for frequencies from 2.0 GHz to 18.0 GHz.
Temp. Information: Operating temperature from -55°C to +85°C
Environment: MIL-E-5400, MIL-STD-202, MIL-E-16400, MIL-STD-883 (Special request only).
Connectors: SMA or N standard, others on request.

Notes:

1. If the frequency band of interest is narrower than that listed, it should be indicated when ordering. Performance will be optimized over the band of interest and improved delivery may be provided. A special part number may be assigned.
2. If type N connectors are required add N to the model number. i.e.; YE-11, with type N connectors, is ordered as YE-11N.
3. Model YE-68, YE-76, YE-86 and YE-88 are not available with type N connectors.

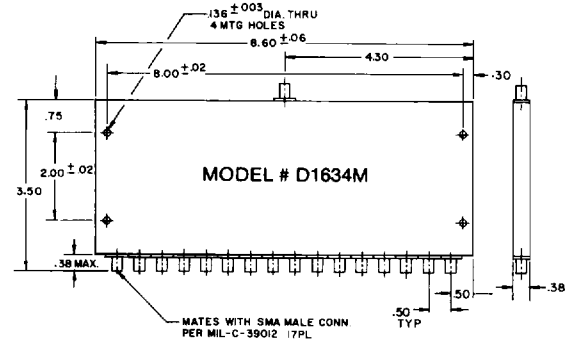
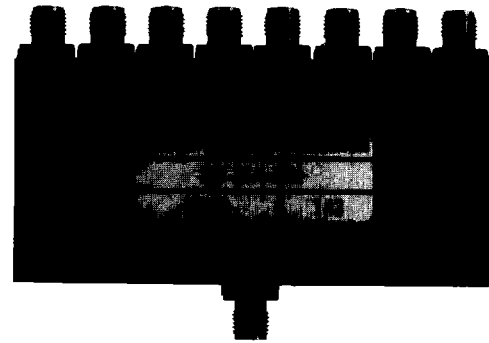
ELECTRICAL PERFORMANCE 8-WAY DIVIDERS/COMBINERS

Model No.	Frequency Range GHz	Max.* In/Out VSWR	Max. Insertion Loss dB	Min.* Isolation dB	Phase Balance Degrees	Amplitude Balance dB	Out-line SMA	Out-line N
OCTAVE BANDS								
YE-09	0.5-1.0	1.35/1.30	0.7	20	3	0.35	1	1
YE-11	1.0-2.0	1.40/1.35	0.8	18	4	0.35	2	2
YE-21	2.0-4.0	1.45/1.40	1.1	17	4	0.35	3	2
YE-41	4.0-8.0	1.60/1.55	1.4	16	7	0.6	3	3
MULTI-OCTAVE BANDS								
YE-28	2.0-8.0	1.70/1.65	1.5	16	8	0.7	6	2
YE-68	6.0-18.0	2.00/1.90	2.3	13	15	1.0	7	NOTE 3
YE-88	2.0-18.0	2.00/1.90	3.2	13	15	1.0	8	NOTE 3
POPULAR & COMMUNICATIONS BANDS								
YE-46	0.95-1.3	1.30/1.25	0.6	19	4	0.20	1	1
YE-51	1.7-2.4	1.35/1.30	0.7	19	4	0.30	5	2
YE-61	3.7-4.3	1.35/1.30	0.7	19	5	0.30	3	2
YE-66	5.7-6.5	1.35/1.30	0.9	19	5	0.30	3	3
YE-71	7.1-7.7	1.40/1.35	0.9	18	6	0.30	4	3
YE-81	8.0-12.4	1.70/1.65	1.2	15	6	0.40	5	1
YE-76	12.0-18.0	1.80/1.75	1.8	13	15	0.60	5	NOTE 3
YE-86	14.0-16.0	1.60/1.50	1.6	14	10	0.50	4	NOTE 3

16-WAY DIVIDERS/COMBINERS

Model No.	Frequency Range GHz	Max.* In/Out VSWR	Max. Insertion Loss dB	Min.* Isolation dB	Phase Balance Degrees	Amplitude Balance dB	Out-line SMA	Out-line N
D1634M	3.7-4.2	1.25/1.25	0.6	20	4	0.3	9	See D1634N

* UNITS WITH TYPE N CONNECTORS: Up to 4.0 GHz multiply VSWR's by 1.05 and subtract 2.0dB from isolation. Above 4.0 GHz multiply VSWR's by 1.10, and subtract 3.0dB from isolation.



OUTLINE 9

IN-PHASE 8- AND 16-WAY

DIVIDERS/COMBINERS, POWER

SERIES YE

With SMA or N Connectors 0.5-18 GHz

**MECHANICAL OUTLINES—FIGURE 1
SMA CONNECTOR SERIES YE**

Outline	A Inches cm.	B Inches cm.	C Inches cm.	D Inches cm.	E Inches cm.
1	4.50 11.43	2.75 6.99	4.300 10.922	0.50 1.27	0.50 1.27
2	4.00 10.16	2.25 5.72	3.800 9.652	0.25 0.64	0.50 1.27
3	3.20 8.13	2.00 5.08	3.000 7.620	0.20 0.51	0.40 1.02
4	3.20 8.13	1.50 3.81	3.000 7.620	0.20 0.51	0.40 1.02
5	3.20 8.13	2.50 6.35	3.000 7.620	0.20 0.51	0.40 1.02
6	3.20 8.13	4.00 10.16	3.000 7.620	0.20 0.51	0.40 1.02
7	3.20 8.13	2.85 7.24	3.000 7.620	0.20 0.51	0.40 1.02
8	3.20 8.13	3.75 9.53	3.000 7.620	0.20 0.51	0.40 1.02
9	See D1634M Outline				

Inches/Centimeters ±.03 x ±.010/ ±.08 x ±.025

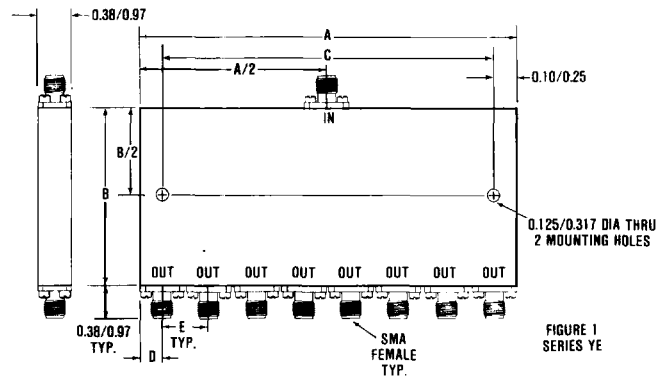


FIGURE 1
SERIES YE

**MECHANICAL OUTLINES—FIGURE 1
N CONNECTOR SERIES YE-N**

Outline	A Inches cm.	B Inches cm.	C Inches cm.
1	8.00 20.32	2.50 6.35	7.700 19.560
2	8.00 20.32	2.25 6.72	7.700 19.560
3	8.00 20.32	1.75 4.45	7.700 19.560

Inches/Centimeters
±.03 x ±.010/ ±.08 x ±.025

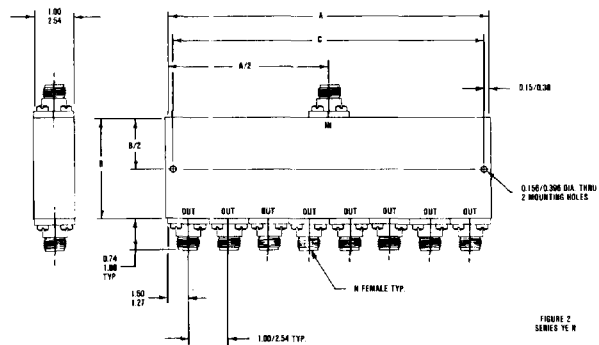


FIGURE 2
SERIES YE-N